



# MDM



## Liquid yeast processor MDM

MDM yeast processors produce and grant a natural yeast ready to be used at every moment during the day without being submitted to the traditional and strict process steps. From a base of natural yeast, to which wheat and water are added conveniently, MDM yeast processors allow to process safely the yeast to incorporate into the ingredients in a different percentage according to the product to be obtained.

MDM assure a notable time-saving, programmable and repeatable cycles and a constant working method. Bread and in general leavened oven-baked products, obtained by using liquid natural yeast are top quality, fresh, natural, without any preservatives and artificial components and highly digestible products with a special aroma recalling the handcrafted bread-making in times past.

### Standard features

- Structure and casing are in AISI 304 stainless steel.
- Anti-drip opening for output withdrawal.
- Electro-agitator with scraper: blades are removable for easy cleaning: create a spiral movement in the mix, vertically and horizontally, to guarantee complete mixing, maturation and preservation of the product at the right temperature.
- Built-in refrigeration unit, air cooling, eco-friendly cooling gas.
- **The automated control screen panel manages and records processing times, temperatures and the sequences of all work steps.**
- Double and opening lid for easy visual check and for adding ingredients.
- **Spigot has a special large opening to make it quicker to**

### extract the product.

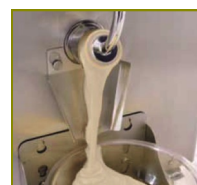
- Mounted upon wheels.
- Voltage: 230/400-3-50 Hz



Double and transparent lid



Elettro-agitator with scraper



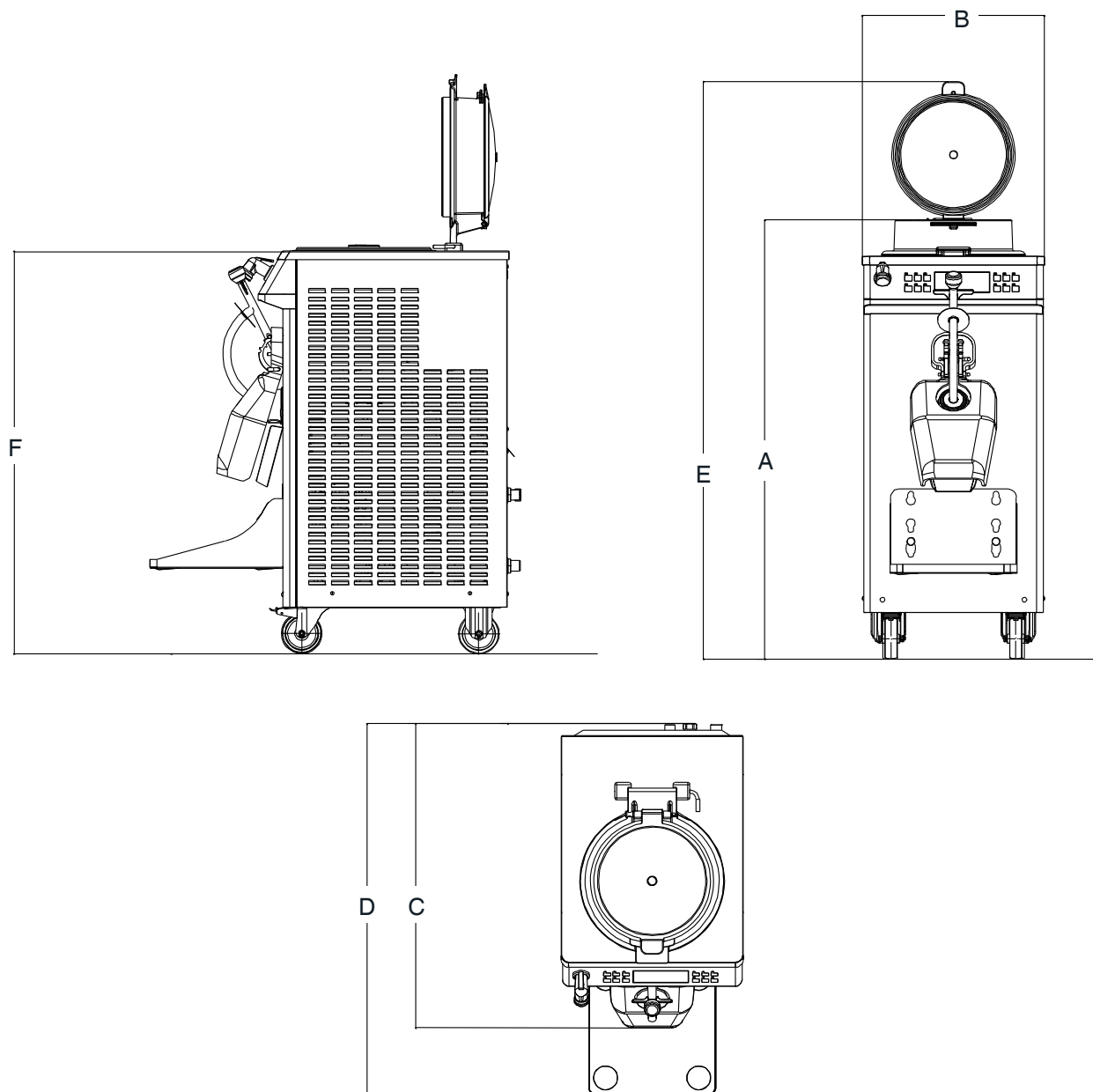
Spigot

### MODELS

	Description
<b>MDM 32</b>	MDM 32 max. capacity 32 kg, useful capacity 26 kg
<b>MDM 55</b>	MDM 18 max. capacity 55 kg, useful capacity 45 kg



Technical data



Technical data	MDM	32	55
A	mm	1110	1190
B	mm	659	659
C	mm	850	850
D	mm	1015	1015
E	mm	1488	1618
F	mm	993	1081
Power required	Kw	4.0	5.6
Full tank capacity	lt	32	55
Useful capacity	lt	26	45
Weight	Kg	198	251