



# E-PLANET



Supporting frame with shelf for tools - adjustable feet



Integrated frame with toolholder compartment - self-leveling feet

## Bench planetary mixer

E-PLANET is a new generation table-top planetary mixer created to tackle moderate daily productions in small environments, which represents the evolution of the well-known Saturne 3 range.

It can be placed on top of a work bench or on a dedicated stand.

Thanks to the proven technology of the dough produced by Esmach, the planetary mixer model E-Planet and its interchangeable tools can be used to process creams, sauces and mayonnaise, mixes and doughs of different density and consistency (even some bread dough) in addition to doughs for delicatessen products.

The design and its smooth surfaces allow a quick, simple and accurate cleaning.

### Standard features

- Steel structure, top cover in shockproof thermoformed ABS.
- Paint finish with epoxy powders (suitable for contact with food).
- Alternatively, stainless steel structure.
- Stainless steel bowl and flour protection device
- Robust, accurate and silent construction.
- Simple, quick and safe bowl hooking with locking levers. The tools are easy to assemble/disassemble even when the bowl is already fitted.
- Table-top machine.
- Machine equipped with three fixed feet and an adjustable rear levelling foot to adapt the machine to the supporting floor.
- Lid: transparent plastic bowl cover suitable for contact with food in compliance with the strictest hygiene and safety standards.
- Washable lid with opening for adding ingredients.
- Quick and intuitive tool connection.
- Standard tools: stainless steel hook, stainless steel wire whisk, stainless steel spatula.

- 12 L capacity reduction kit consisting of: adapted stainless steel tank, stainless steel whisk, stainless steel spatula, stainless steel spiral.

### VRV



E-Planet is proposed in the continuously variable speed version, electronic control, manual working mode.

### Tools

Stainless steel hook

Stainless steel whip

Stainless steel flat beater



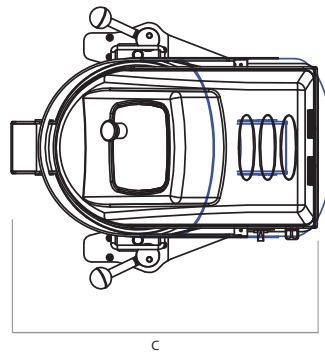
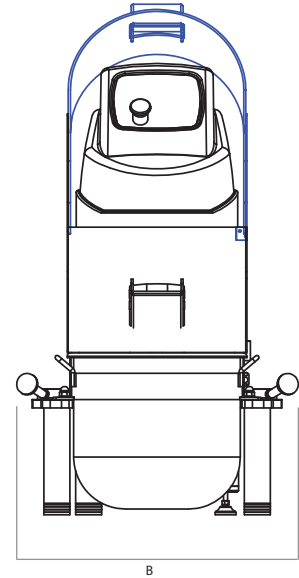
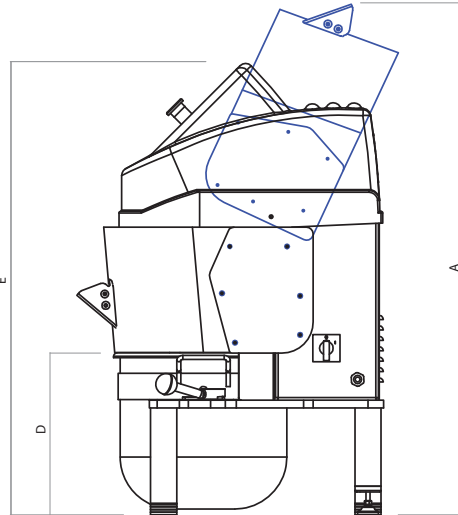
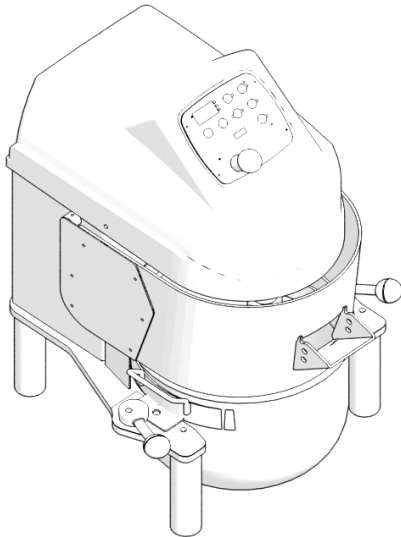
### Options

- Stainless steel structure
- Supporting frame:
  - a) with 4 adjustable feet and a shelf to place tools
  - or
  - b) frame integrated to the machine, small dimensions, with toolholder compartment. Self-leveling feet.



## MESCOLATORE PLANETARIO DA BANCO E-PLANET

### E-PLANET BENCH PLANETARY MIXER



DATI TECNICI / TECHNICAL FEATURES		E-PLANET VRV
A	mm	981
B	mm	541
C	mm	579
D	mm	311
E	mm	867
Capacità vasca/Bowl capacity	L	20
Dimensioni vasca/Bowl dimensions:		
diametro/diameter	mm	320
altezza/height	mm	300
Potenza installata/Installed power	kW	1,1
Potenza max assorbita/Max. absorbed power	kW	1,1
Connessione elettrica/Plug coupling		230 V - 50 Hz / 1 Ph+N+Gr
Massa/Mass	kg	100
<p>■ <b>P.S.:</b> E' necessario installare un interruttore differenziale idoneo all'uso di macchine equipaggiate con inverter./</p> <p>■ <b>NOTE:</b> It is necessary to install a circuit-breaker suitable for use of machines provided with inverter.</p>		